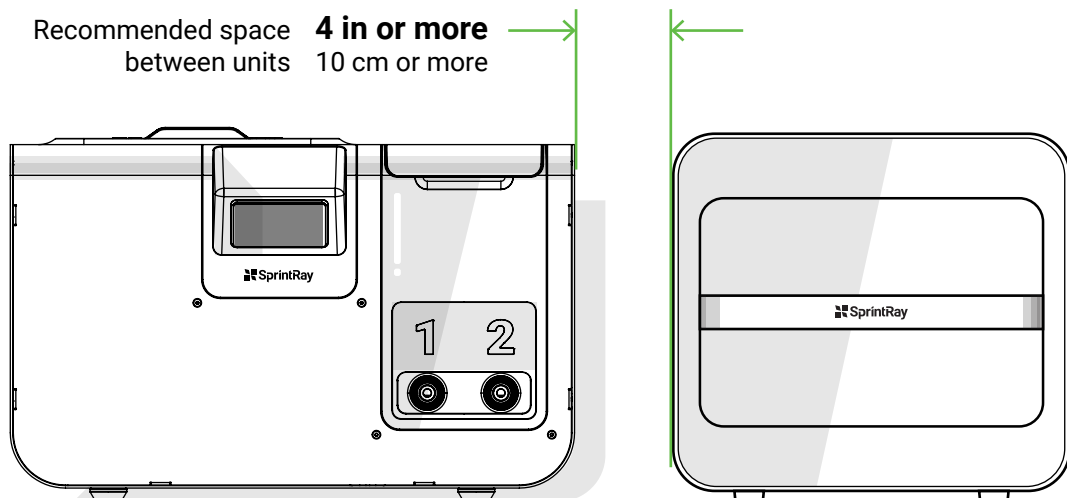
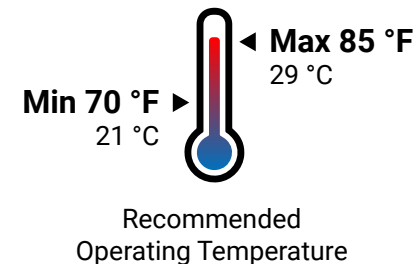


- ✓ Level surface
- ✓ Well ventilated area
- ✓ Within recommended temperature
- ✓ Away from direct sunlight
- ✓ Properly spaced from each other
- ✓ Properly spaced from other equipment



### Best Practices

Situate your Pro 3D printer in a well-ventilated area on a flat and level surface. Keep it away from extreme temperatures, windows, bright UV light sources, and direct sunlight.

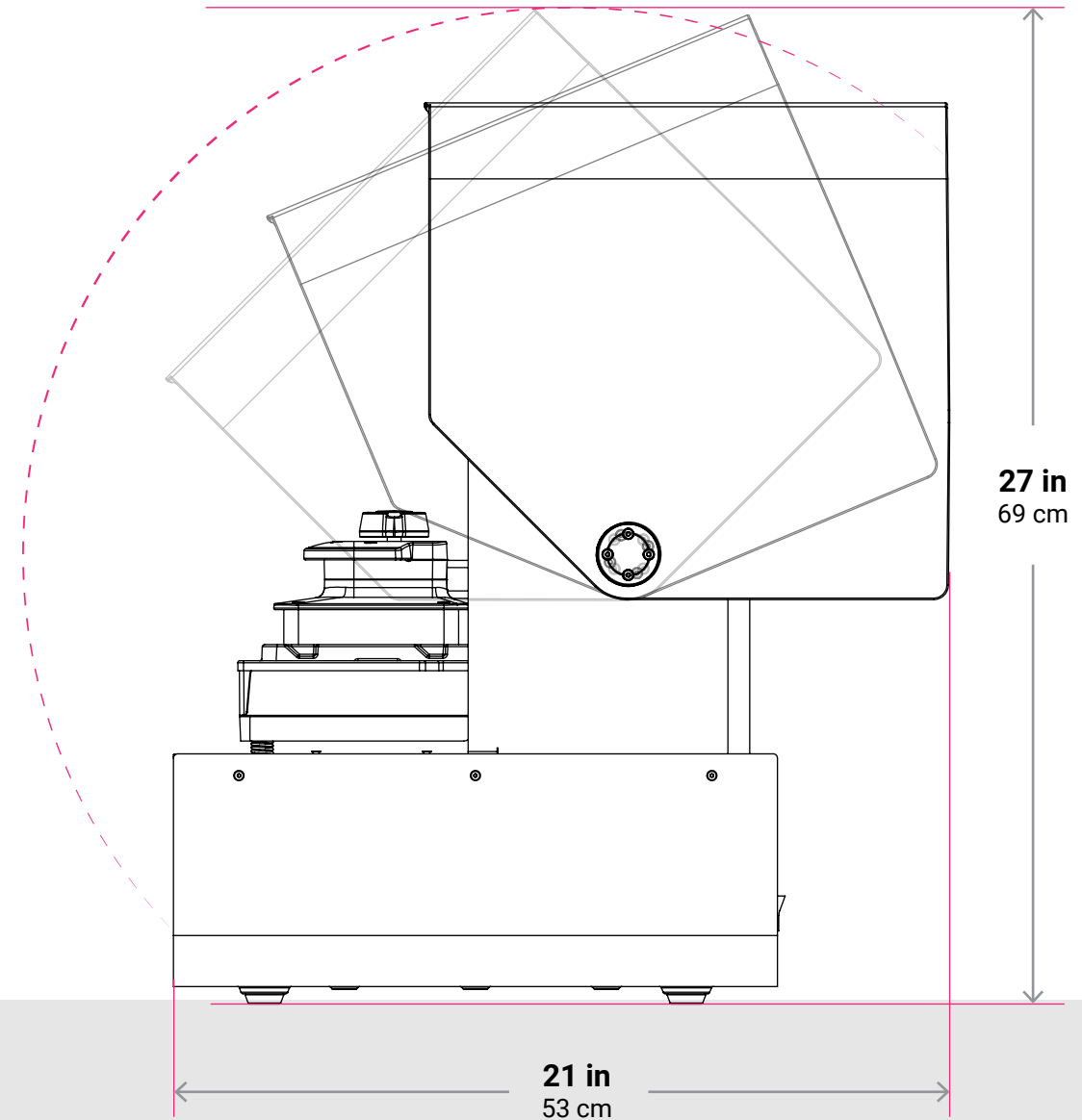
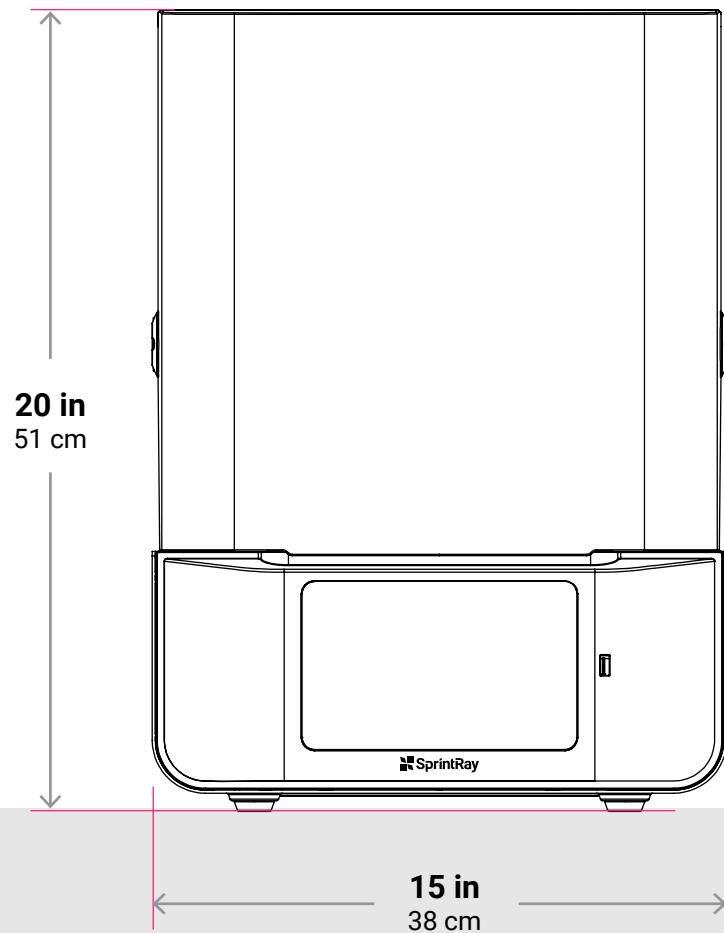
### Power Requirements

We recommend an independent 100v-240v outlet for Pro 3D Printer. Pro 3D Printer draws 80 watts of power.



## Critical!

Clearance for easy opening.



## Best Practices

Place your Pro Wash/Dry in a well-ventilated area on a flat, level surface. Keep it away from extreme temperatures, windows, bright light sources, and direct sunlight.

For workflow optimization, place Pro Wash/Dry near your 3D printer. Never set anything on top of Pro Wash/Dry.

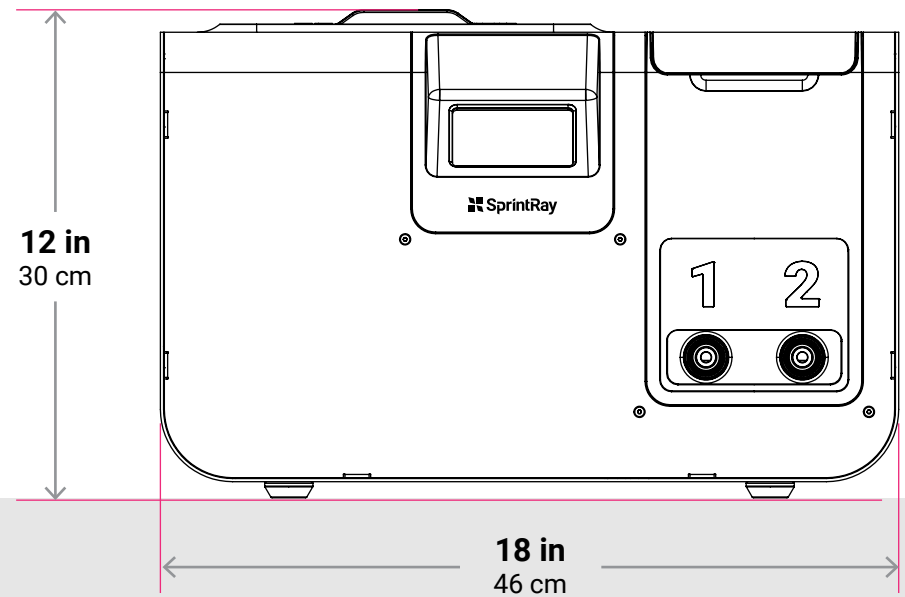
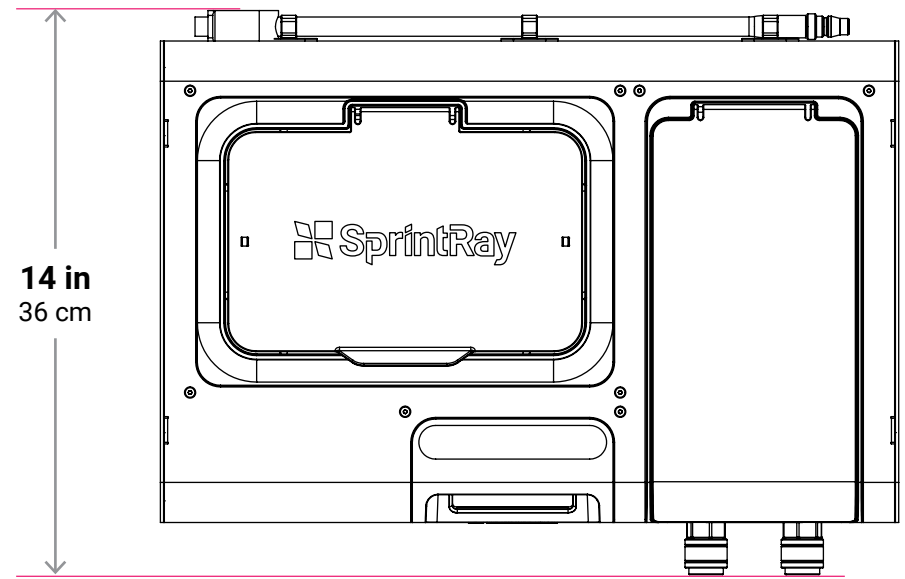
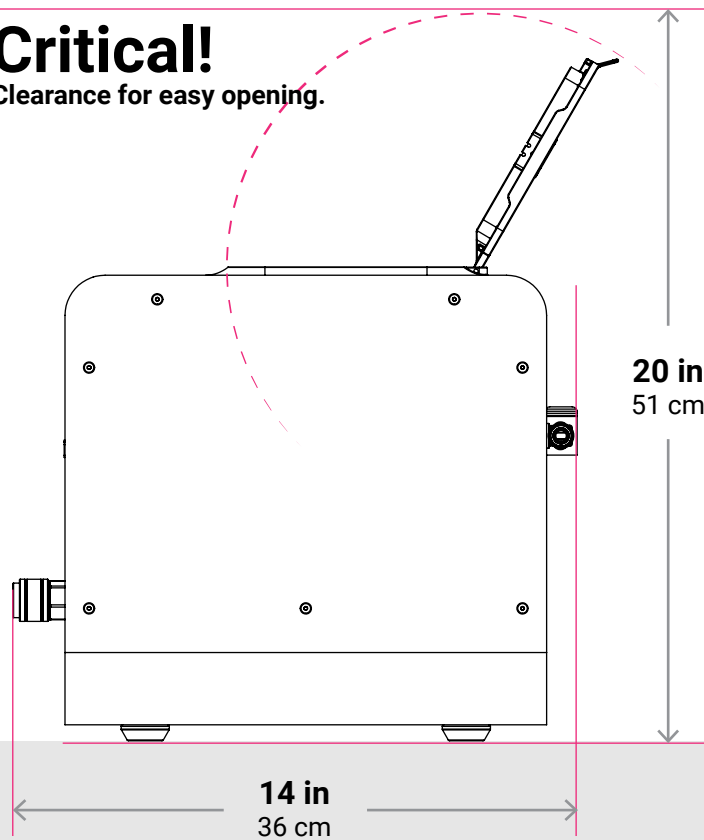
## Power Requirements

We recommend an independent 100v-240v outlet for Pro Wash/Dry. Pro Wash/Dry draws 80 watts of power.



## Critical!

Clearance for easy opening.



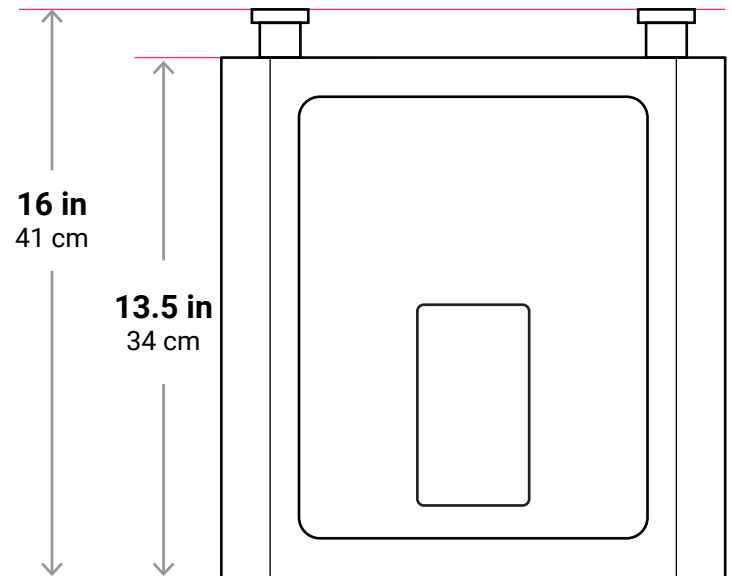
## Best Practices

Situate your ProCure 2 in a well-ventilated area on a flat and level surface. Keep it away from extreme temperatures, windows, bright UV light sources, and direct sunlight.

Never put anything on top of ProCure 2. Never cover the back ventilation surface.

## Power Requirements

We recommend an independent 100v-240v outlet for ProCure 2. ProCure 2 draws 180 watts of power when in use.



**Critical!**  
Clearance for heat dissipation.

3 in  
8 cm

